

## Below have totally 5 type exit button, please follow guide based on the product picture

### Contents

|  |   |
|--|---|
| 1. If use the press to exit button .....     | 1 |
| 2. If use the Motion Sensor exit .....       | 2 |
| 3. If use our infrared no touch button ..... | 3 |
| 4. If use the touch exit button .....        | 4 |
| 5. If use the below metal exit button .....  | 5 |

## 1.If use the press to exit button



It's easy, just connect the two point to P1 and GND for Door 1

P2 and GND for Door 2 ...

No matter negative and positive.

The Related **video** is:

<https://vimeo.com/819063009/e05d93a202>

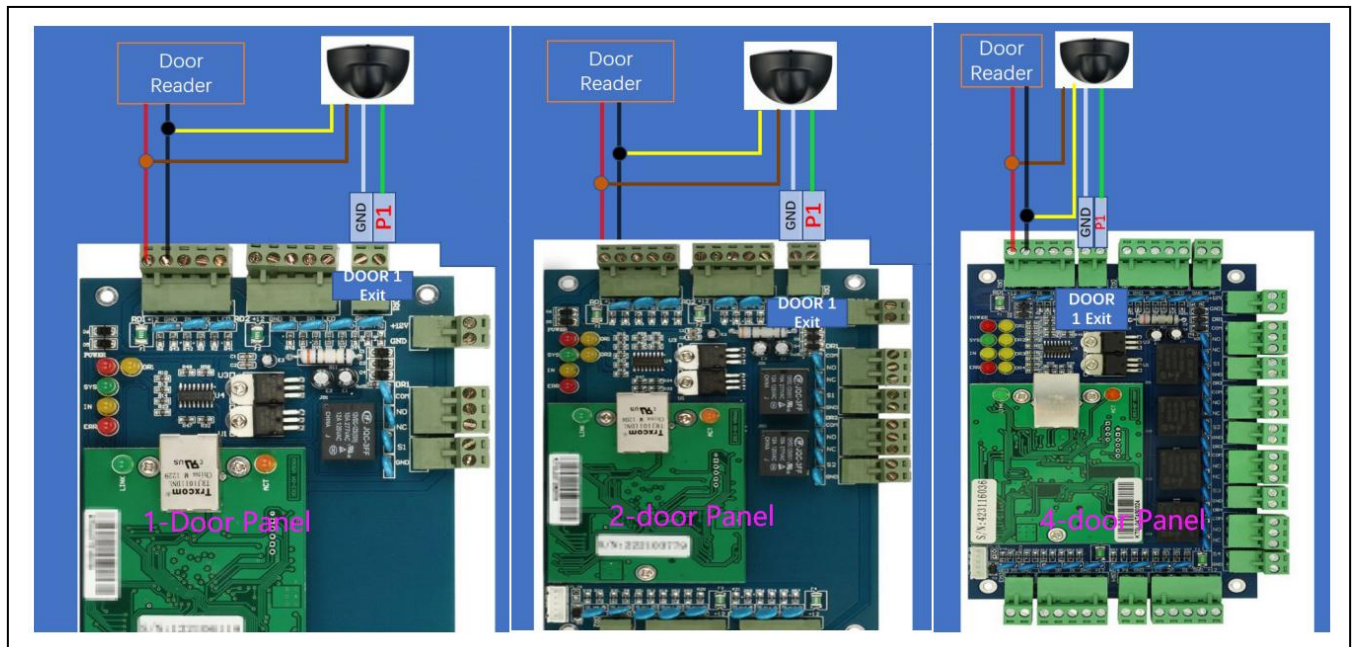
## 2.If use the Motion Sensor exit



The Related [video](#) is:

<https://vimeo.com/819063372/5e61cbc445>

Example Diagram as below:



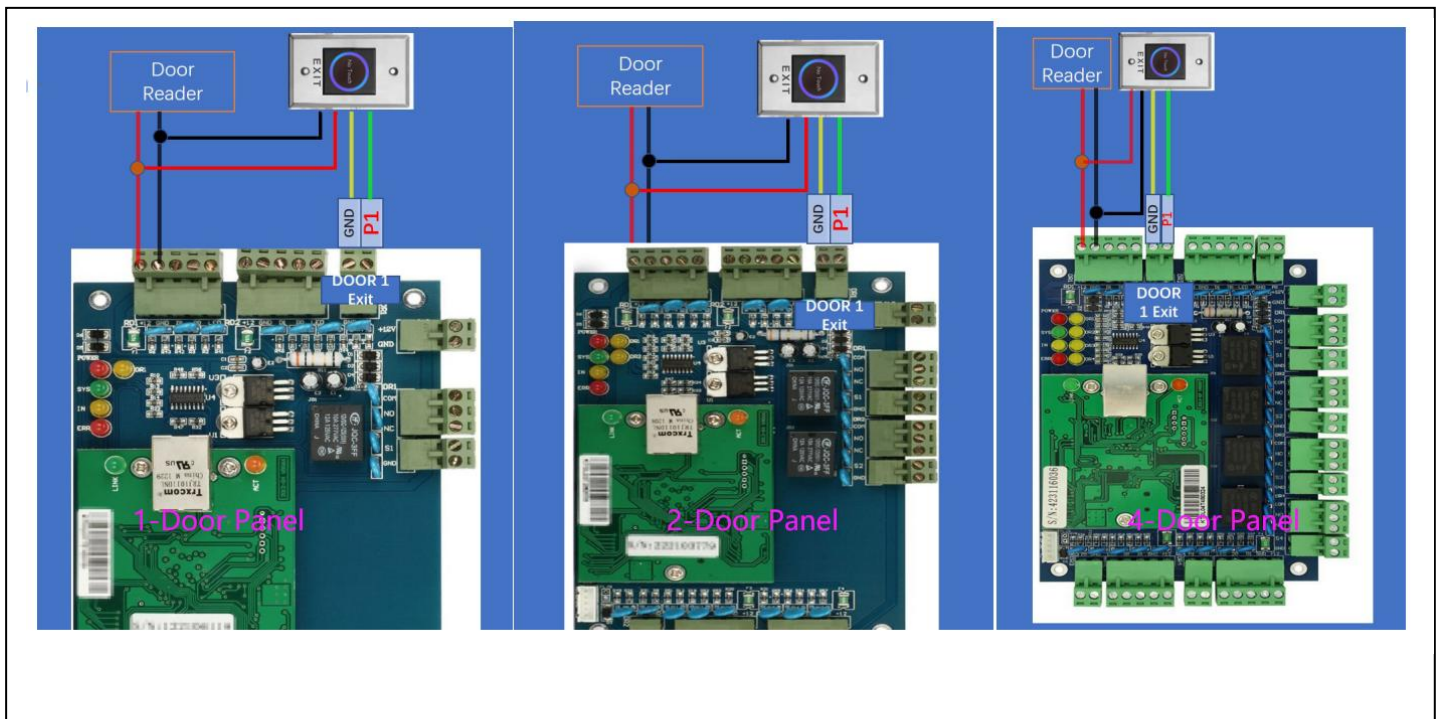
### 3.If use our infrared no touch button



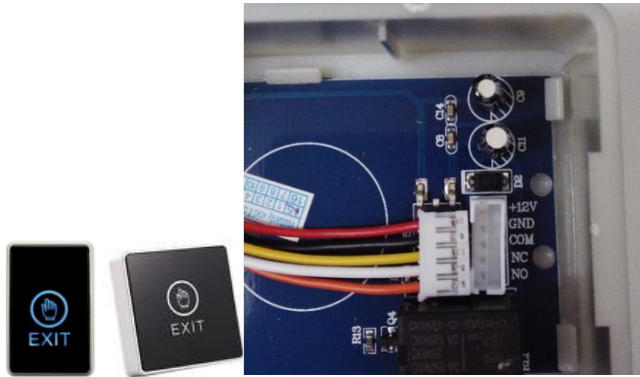
The Related [video](#) is:

<https://vimeo.com/819063931/59cf9e9fed>

Example Wire Diagram:

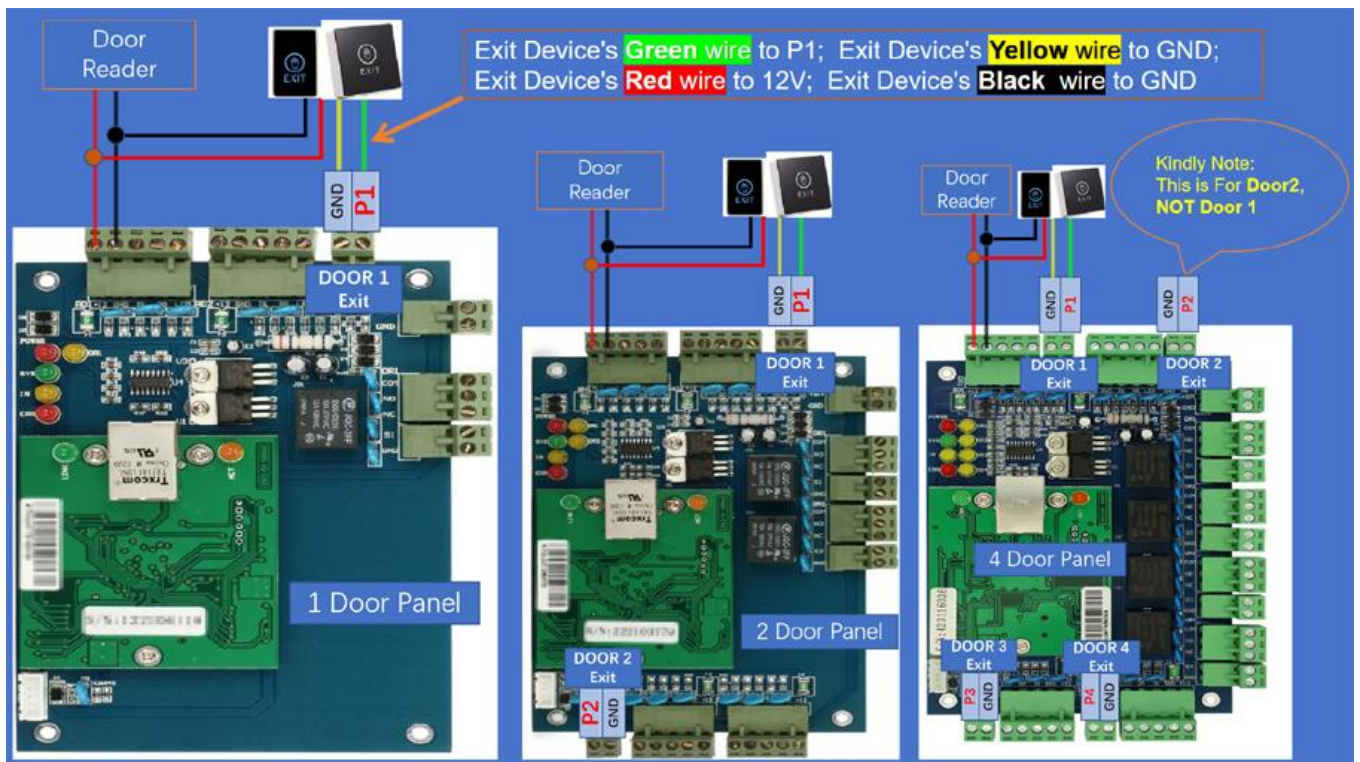


## 4.If use the touch exit button



The Related [video](#) is:

<https://vimeo.com/879329127/4627878fa5>



## 5.If use the below metal exit button



Just use it's **two** wires(**NO and COM**) , connect the two wires to P1 and GND for Door 1

NO and COM of exit button are the same color, No matter negative and positive. Just one wire to P1, another wire to GND( if for door 1)

The Related **video** is:

<https://vimeo.com/819064673/0246329c81>